

# NARITA

# RADIANT CUP BURNER

RC-5K RC-15K



## ●FEATURES

- The BURNER has a high radiation dose rate.
- As the flame will burn in a complete combustion rate at the face of its tile, it is possible to make the proximity heating.
- As the BURNER itself constitutes the wall of Furnance, it will make the configuration of Furnance compact.

## ●PRINCIPAL USES

- Quenching of steel.
- Heating of Non-ferrous metals.

## ●NOTES

- It is necessary to reduce the loss of pressure which may occur in the way of piping from the mixer to the BURNER as much as possible and it is also necessary never to put any Cocks between the BURNER and the mixer.
- Take care never to operate the BURNER at the limit gas feed rate shown in Data 1 or below.

# NARITA

## Outline of NARITA Group Companies

### □ NARITA TECHNO CO.,LTD.

20,Kamijinya-cho,Seto,Aichi 489-0063.JAPAN  
Phone: +81-561-21-1111 Facsimile: +81-561-21-1112  
Web Site: <http://www.naritatechno.co.jp/>  
Email: [info@naritaseitoshoco.jp](mailto:info@naritaseitoshoco.jp)

### □ NARITA SEISAKUSHO CO.,LTD.

91,Tomishiro,Simotsuya, Kumiyama-cho,Kuse-gun,Kyoto 613-0035.JAPAN  
Phone: +81-774-43-5811 Facsimile: +81-774-44-1103  
Web Site: <http://www.narita-mfg.co.jp/>  
Email: [narita-inf@narita-mfg.co.jp](mailto:narita-inf@narita-mfg.co.jp)

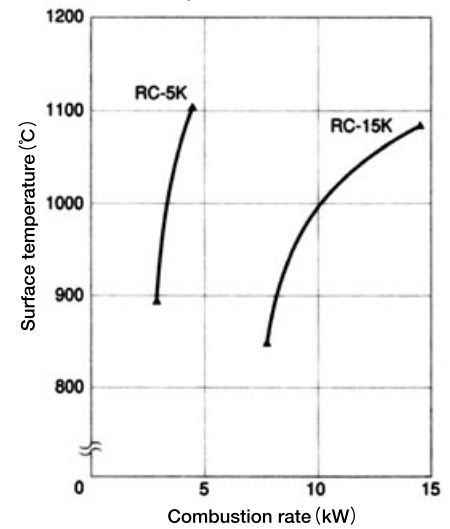
### □ NARITA SEITOSHO CO.,LTD.

70,Dosen-cho,Seto,Aichi 489-8680,JAPAN  
Phone: +81-561-82-6138 Facsimile: +81-561-84-9677  
Web Site: <http://www.naritaseitoshoco.jp/>  
Email: [webmaster@naritaseitoshoco.jp](mailto:webmaster@naritaseitoshoco.jp)

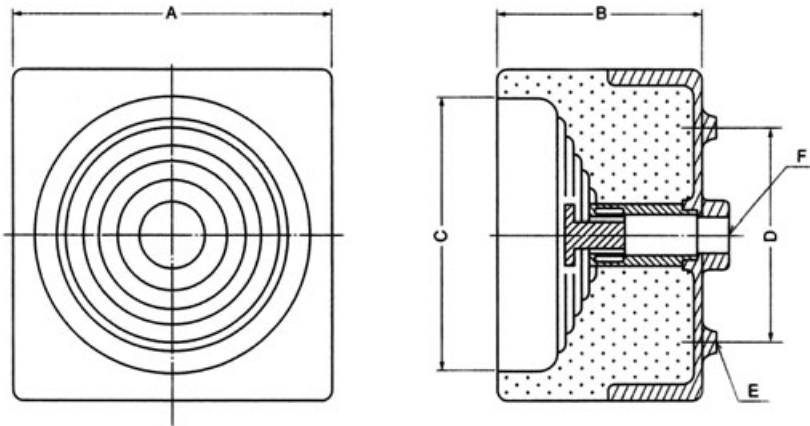
## ● SPECIFICATIONS

| Model No.                                  | RC-5K         | RC-15K | Remarks       |     |
|--|---------------|--------|---------------|-----|
| Fuel                                       | 13A           |        | or 6C         |     |
| Standard Input (kW)                        | 4.7           | 14.1   | lower heating |     |
| Standard gas feed rate (m <sup>3</sup> /h) | 0.41          | 1.22   |               |     |
| Standard pressure of Mixed gas (kPa)       | 1.2           | 1.7    |               |     |
| Outside dimensions                         | A (mm)        | □ 115  | □ 230         |     |
|  | B (mm)        | 115    | 150           |     |
|  | C (mm)        | φ80    | φ190          |     |
|  | D (mm)        | □ 85   | □ 150         |     |
| Attaching dimensions                       | E (Bolt hole) | 4-M5   | 4-M8          | Tap |
| Connection DIA                             | F (Mixed gas) | 15A    | 20A           |     |
| Turn-down Ratio                            | 2 : 1         |        |               |     |

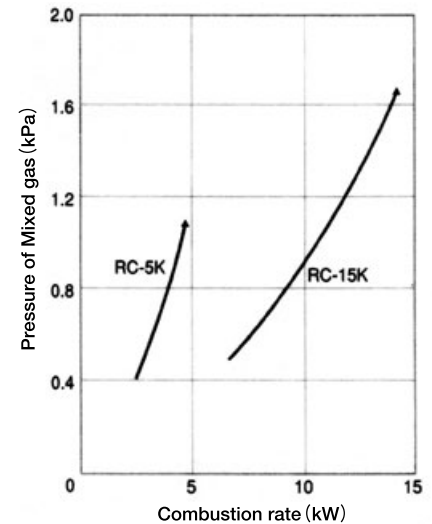
(Data 1)  
Relation between  
Surface temperature / Combustion rate



## ● OUTER CONFIGURATIONS



(Data 2)  
Relation between  
Pressure of Mixed gas / Combustion rate



## ● PIPING FOR FLOWLINE

